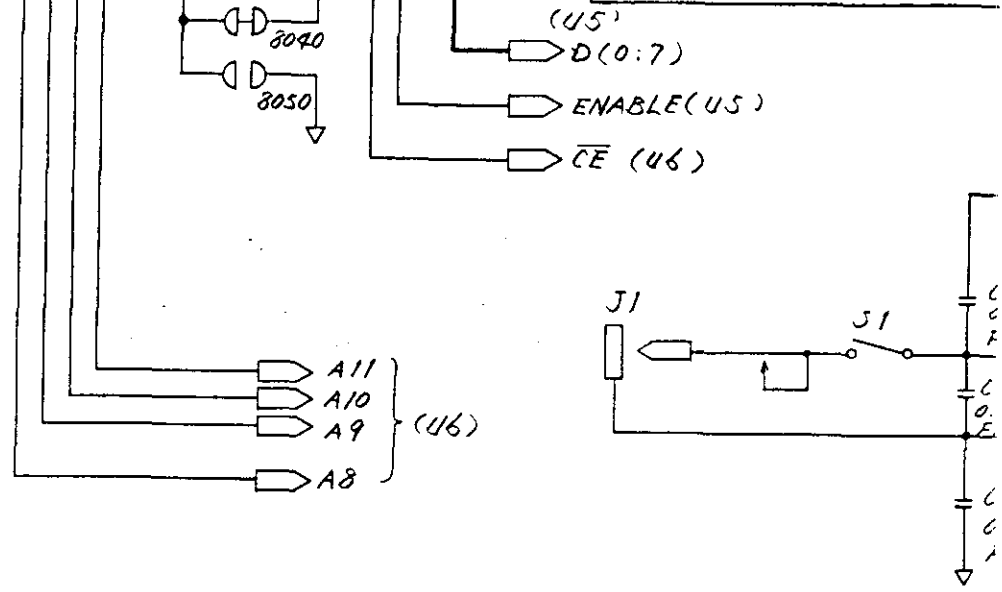
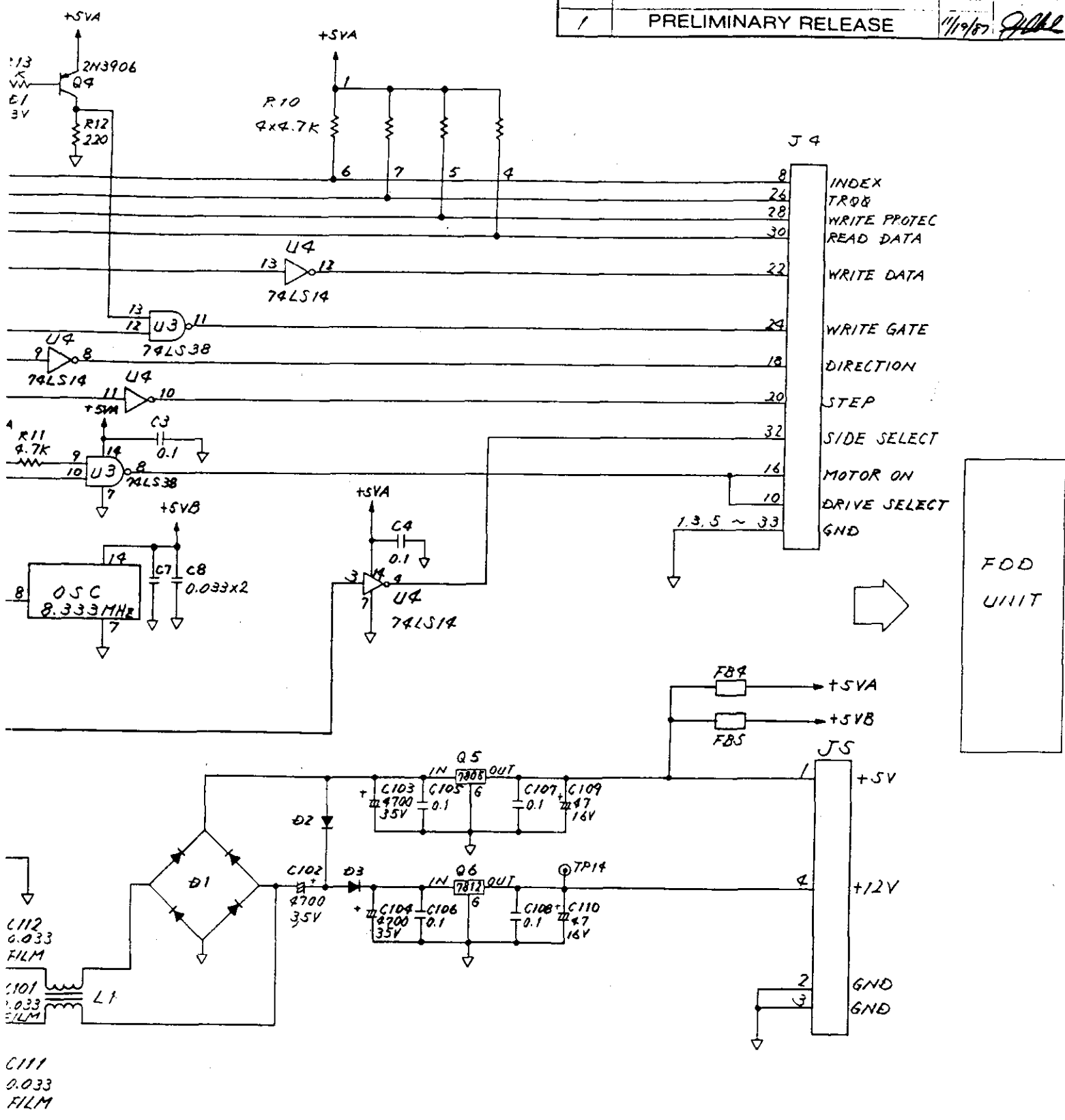


S2-1	S2-2	DRIVE SEL
0	0	1
1	0	2
0	1	3
1	1	4

0 = OFF, 1 = ON



NOTES - UNLESS OTHERWISE SPECIFIED :



C111
0.033
FILM

USED ON XF 551	DRAWN BY <i>N. Honma</i>	DATE 9-11-87	ATARI (JAPAN) CORPORATION Toranomon Kiyoshi Building 3F 4-3-10, Toranomon Minato-ku, Tokyo 105	
NEXT ASSY CA200107-XXX	CHECKED <i>K. Kitagawa</i>	DATE 10-26-87		
MATERIAL	ENGINEER <i>A. Shinogawa</i>	DATE 10-27-87	APPROVED	DATE
FINISH	APPROVED <i>S. Okazaki</i>	DATE 11/2/87	SIZE C	DRAWING NO. C100727
			SCALE NONE	REV 1
			SHEET 1 OF 2	